

Westeria
– range of
innovations

Windsifting | Conveying | Dosing | Spreading

Westeria – range of innovations

Windsifting | Conveying | Dosing | Spreading

TABLE OF CONTENTS

Introduction to Westeria	5	Products	11
Brand	6	Overview	12
Values	7	Windsifting	14
Services	8	Dosing	15
Distribution network	10	Spreading	16
		Conveying	17

01.

INTRODUCTION TO WESTERIA

Our brand and values, the services that we offer and our distribution network.

BRAND

Founded in

1956

Employees

144

Turnover

33M €

Westeria is a German company from Westphalia with over 60 years of experience producing innovative machinery. Since 1956, our product portfolio has largely grown to provide high-quality machines, technical expertise and excellent service to our clients. We are constantly developing new recycling machines and conveyor systems for what is perhaps the biggest challenge of the present day: make the circular economy a valuable and profitable reality all over the world.

VALUES



Be sustainable

We create long-term value by facilitating the recycling of waste.



Be innovative

We embrace the latest technologies to improve our clients' path towards a circular economy.



Be a team

We collaborate with our peers, train young professionals and take care of people.



We build the hardware
of the circular economy

DESIGN & ENGINEERING

We have a team of engineers and technical experts that are constantly researching, improving our machines, optimizing processes and developing new products to offer high quality windsifting, dosing, spreading and conveying solutions that facilitate recycling. Our work is driven by innovation and sustainability. We work closely with universities. We have licenced 21 patents and 11 registered designs.

PRODUCTION

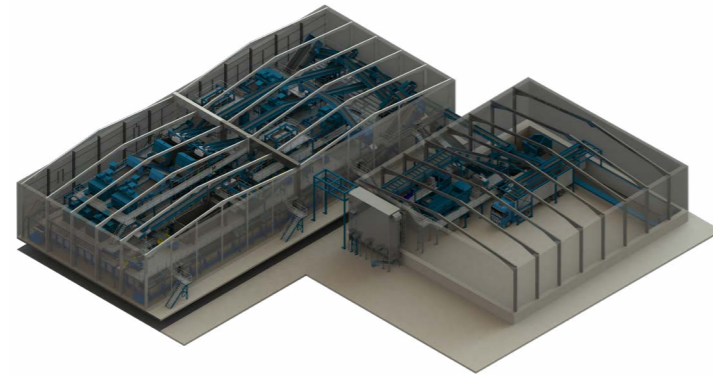
Our headquarters are located in Ostbevern (Germany) with a 16.745 m² factory where we produce all of our machines, ensuring quality, fast detail coordination and close collaboration between our different teams. We have developed an integrated production planning system (IPPS), so that every order can be tracked in real time by the Technical, Production, Purchasing, and Project Management Departments.

TECHNOLOGY CENTER

A 720 m² pilot plant where we test the separation performance of our clients' materials in any of our machines, we analyse the results for demonstration purposes and we provide performance videos and measurement data.

AFTER SALES

To ensure our customers' long-term competitiveness we take care of the assembly of our products and we train their employees: from maintenance to safe system operation. We also provide maintenance work, quality inspections and spare-part deliveries.



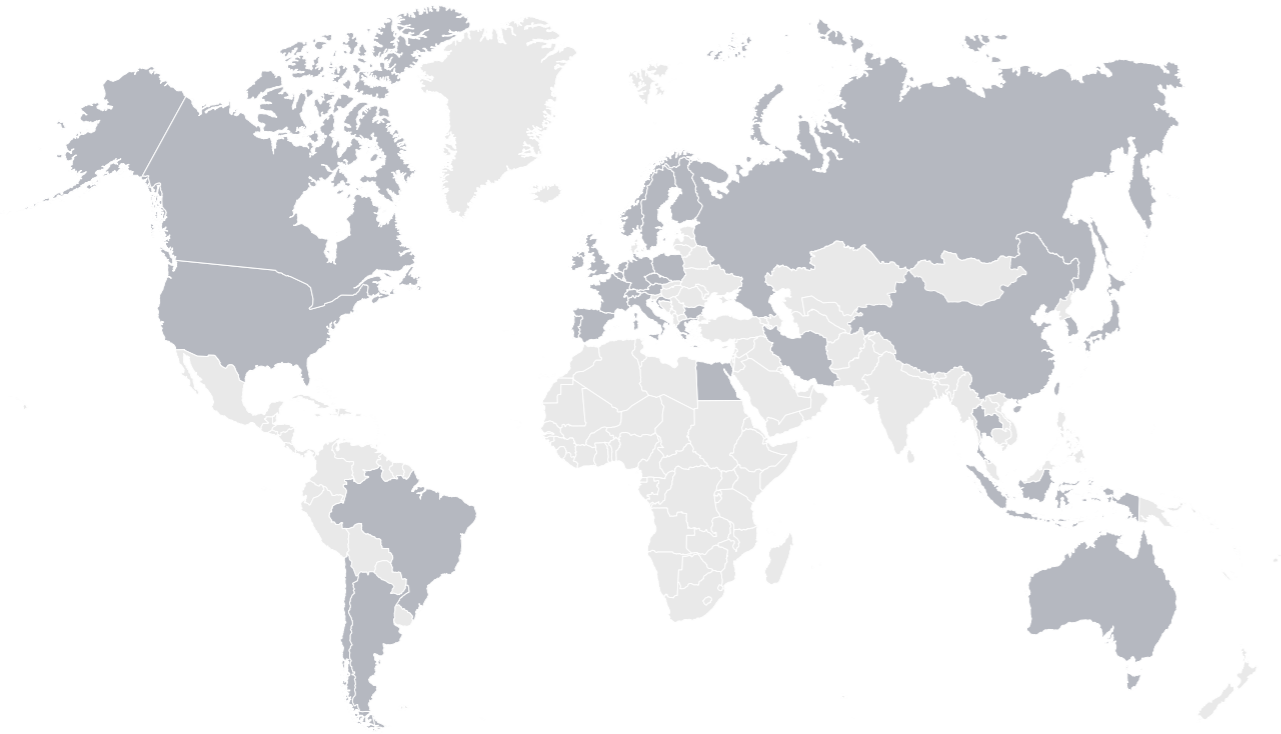
WINDSIFTING | CONVEYING | DOSING | SPREADING



Distribution network

WORLDWIDE RESELLERS

Thanks to a strong worldwide dealer network, we can guarantee you excellent on-site service in addition to a fast response time.



03.

PRODUCTS

Products' overview and description of a selection of products.

OVERVIEW

WINDSIFTING

AirStar®

AirBasic®

AirLift®

DOSING

MovingFloor®

MultiFeeder

SPREADING

DiscSpreader®

classic

head

add

move

automove

CONVEYING

PipeCon®

BendCon

WeKea®

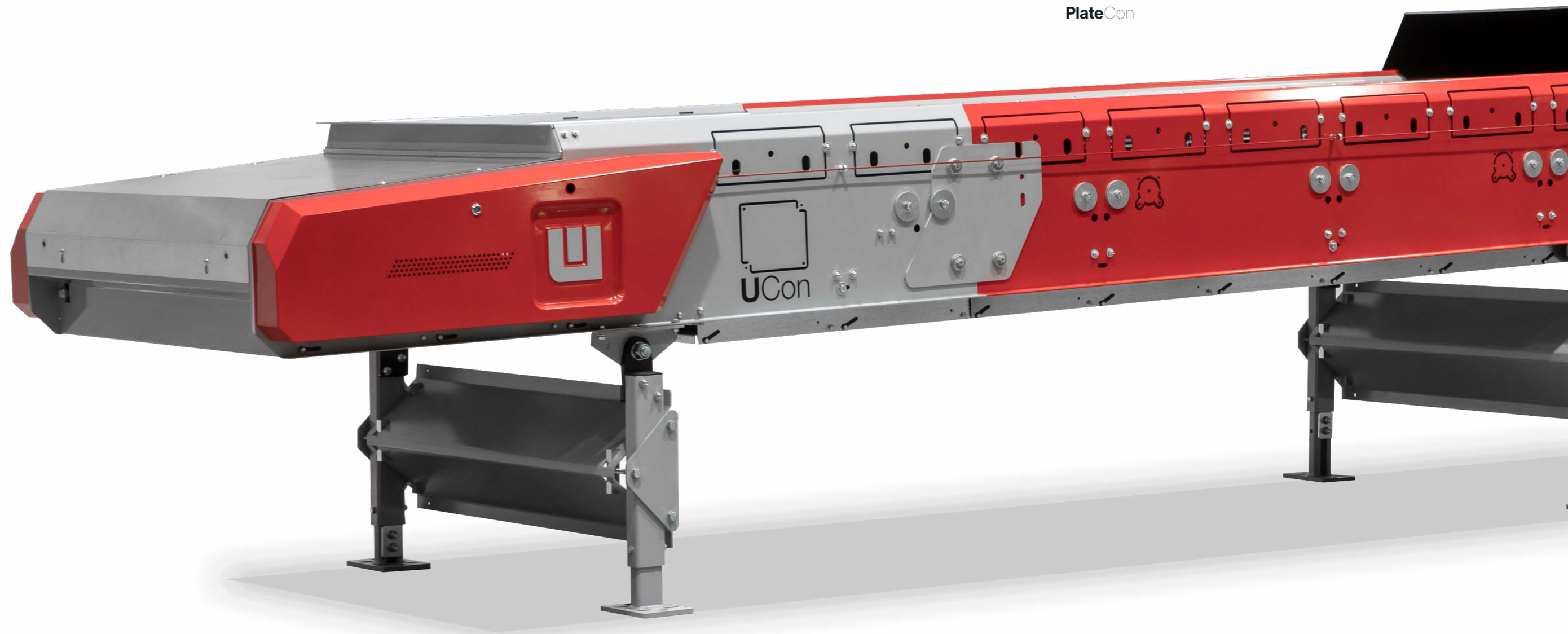
FlatCon®

UCon®

SteelCon®

ChainCon

PlateCon



WINDSIFTING | CONVEYING | DOSING | SPREADING

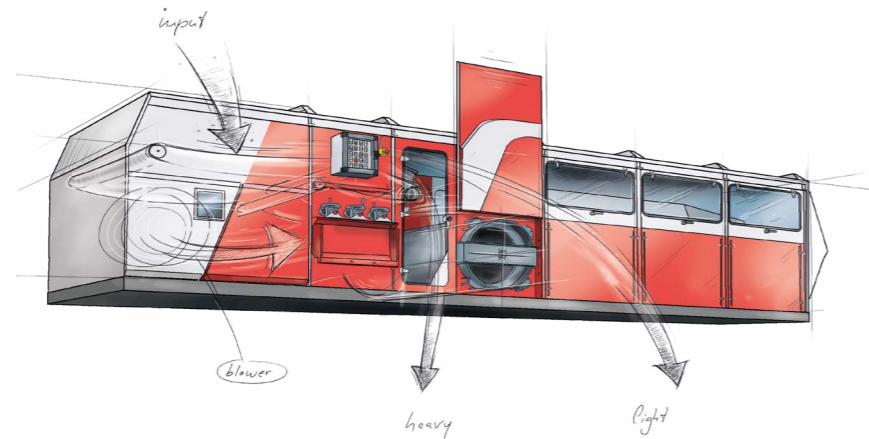
PRODUCTS' DESCRIPTIONS

WINDSIFTING



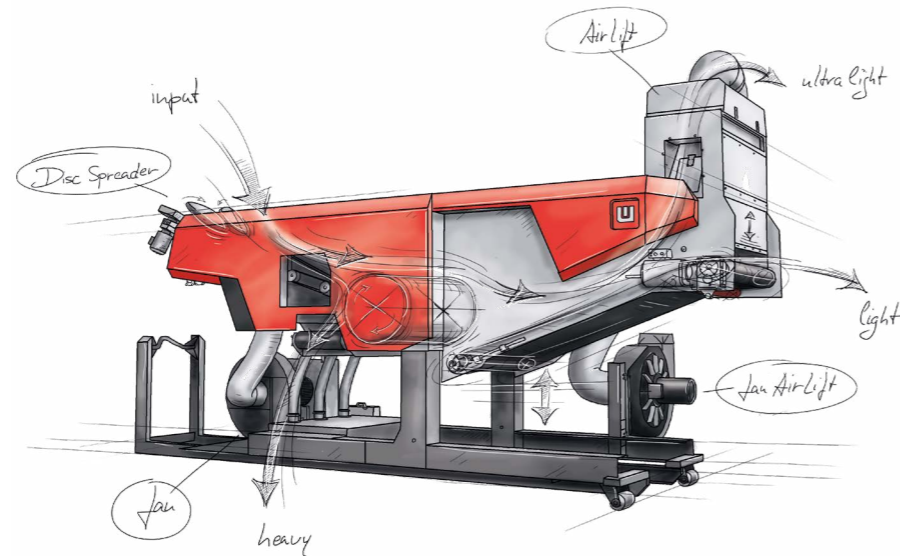
AirStar®

The AirStar is our best selling windsifter because of its compact design. It uses a unique patented Westerier system that provides the highest aerodynamic efficiency that allows a throughput of up to 400 m³/h. All of its components are easily and individually adjustable and accessed to facilitate its maintenance.



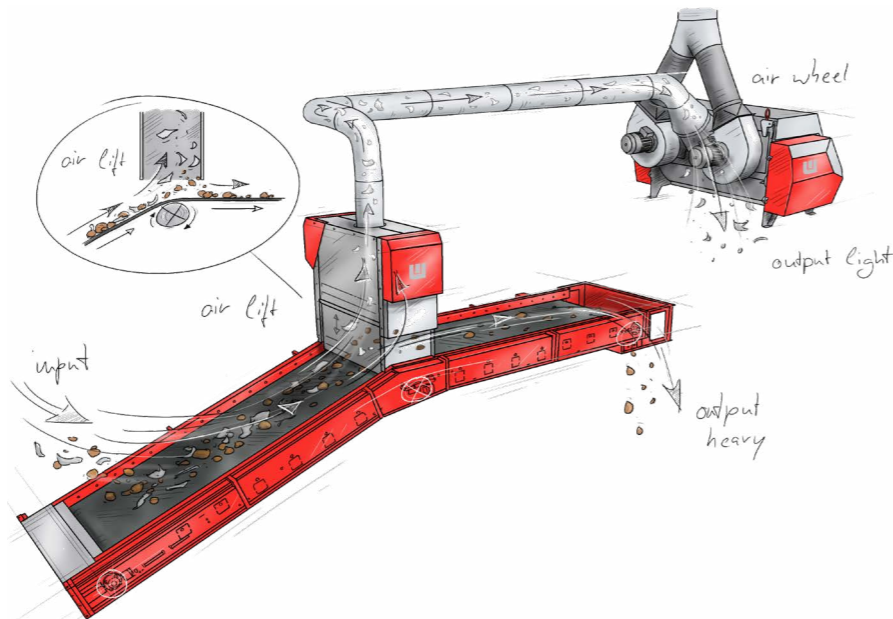
AirBasic®

The AirBasic combines the advantages of our air classifier technology in a compact, mobile machine. Various options and transport possibilities ensure optimum separation results at any location. All components are accessible, easing its maintenance. The machine can be used, among other applications, to remove films and packaging from compost and the processing of PET bottles.



AirLift®

Our vacuum windsifting system is conceived to remove impurities from material flows with similar specific densities. Thanks to its modular design it can be easily integrated into existing recycling plants. The operating width can vary between 1000 mm up to 3500 mm.

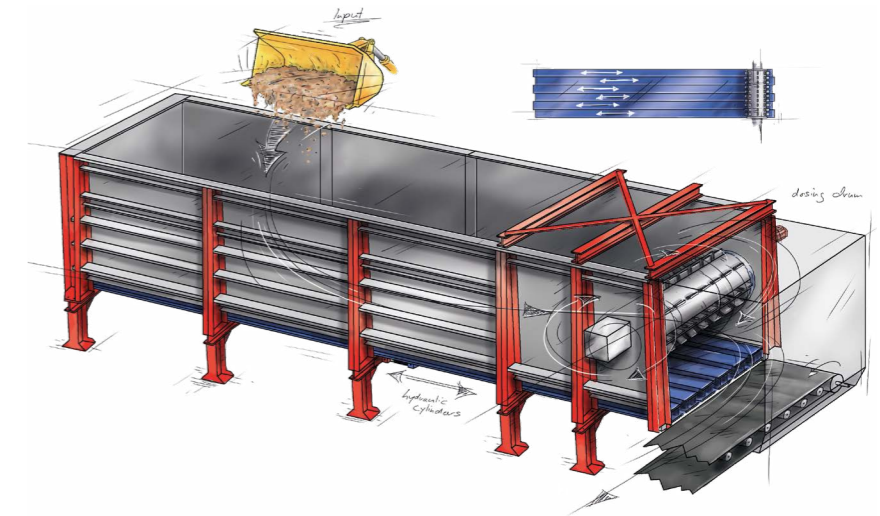


DOSING



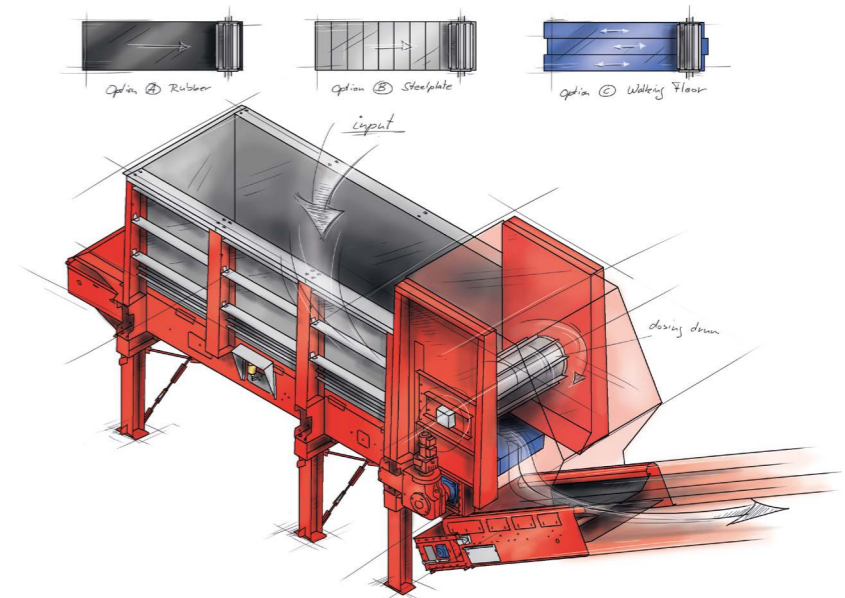
MovingFloor®

The MovingFloor is a bunker system that can help you dose any material flow. It has been conceived to facilitate on-site assembly and its flexible components enable the expansion/compression of the machine. The MovingFloor Bunker is the beginning of various material processes and ensures an even and continuous material feeding. Different materials such as substitute fuels, compost, mixed construction waste and much more can be processed.



MultiFeeder®

MultiFeeder is also a bunker machine, specially designed for the linear distribution of input materials. It is space-saving and can easily be integrated into existing units. Depending on the processed material (foils/PET-bottles, dry goods, such as paper/carton or sharp-edged or hot materials), the MultiFeeder is available in four different variants: chain belt conveyor, slat conveyor, belt conveyor and push-floor. The operation width ranges from 1,200 to 2,000 mm. Its maximal length is 12 m.

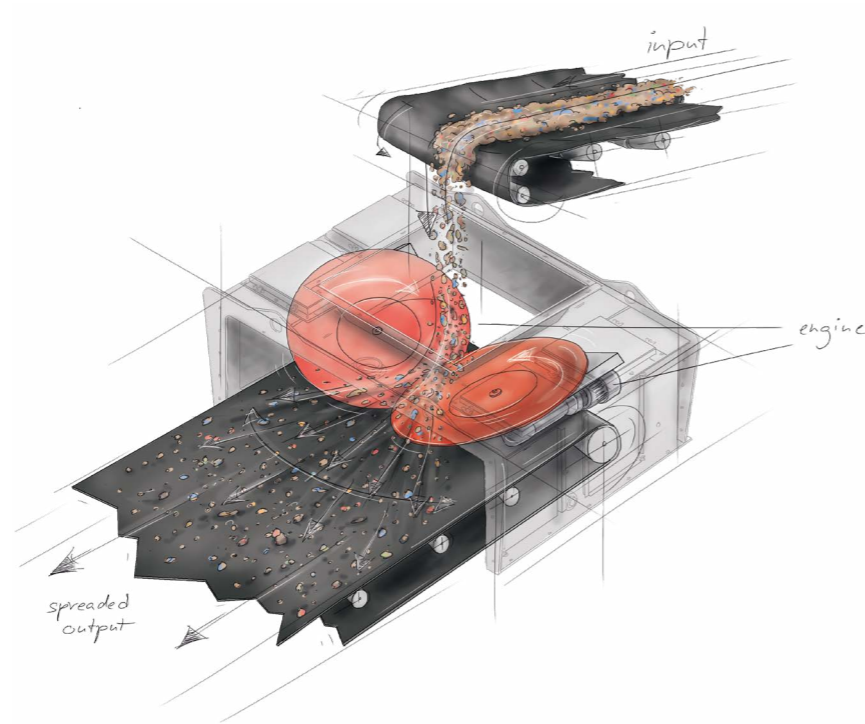


SPREADING



DiscSpreader® classic

The DiscSpreader guarantees a perfect and smooth material distribution of glass, wood, compost, scrap, slag, commercial and household waste for all separation processes, also with non-linear material feeding. No matter if NIR, Eddy Current or windsifter, the Westeria's DiscSpreader is always the perfect device to distribute the material flow over an even width. Due to its extremely compact design, Westeria's patented DiscSpreader system only need little space and offer maximum efficiency. It can be directly mounted into a conveyor belt.



DiscSpreader® automove

Our latest development is an AI-controlled DiscSpreader that gets by with only one distribution disc. Our AI controls the orientation automatically and thus ensures optimal distribution. If the material composition changes, the self-learning algorithm readjusts the orientation.

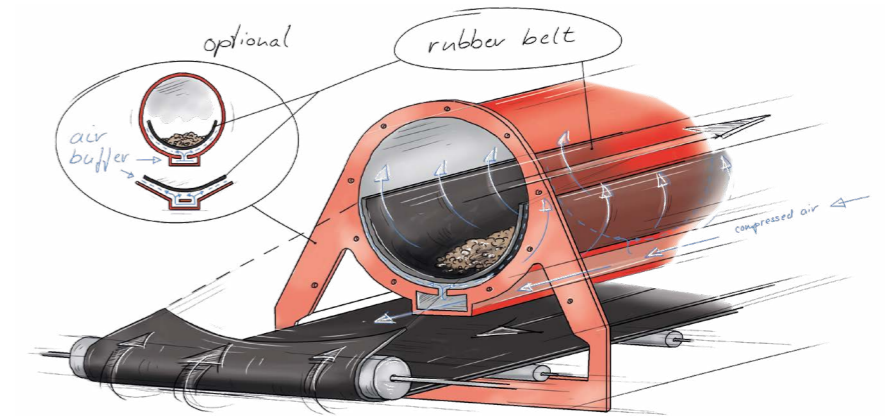


CONVEYING



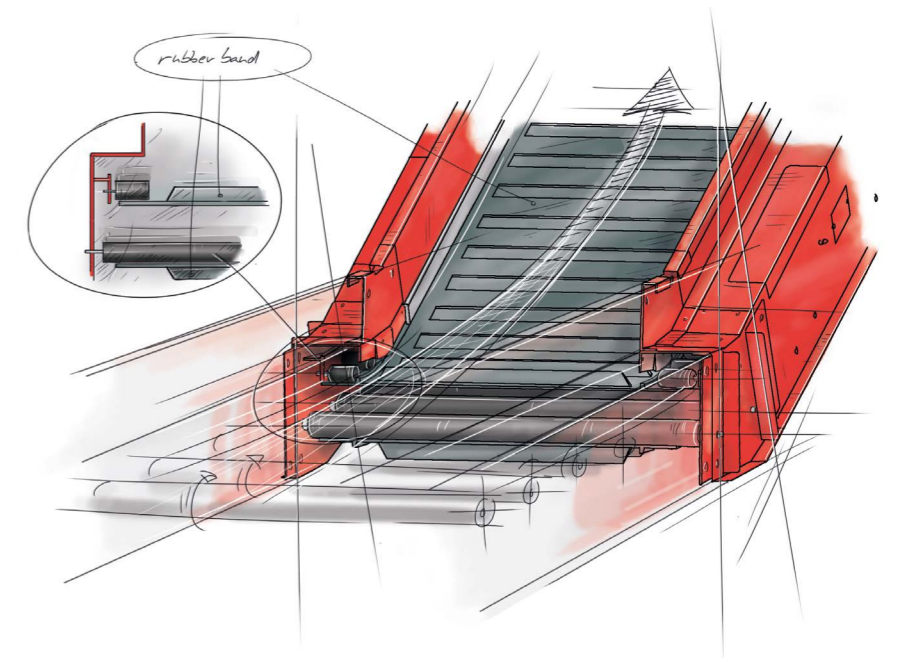
PipeCon®

A conveyor unit for any kind of bulk materials with exact defined grain sizes like in the woodworking and cement industry. The PipeCon has an extremely high conveying capacity up to 500t/h and ensures no gravel leakage. The supports can be up to 60 m apart. The belt guide uses an air buffer and a walkway can be attached directly, saving an additional supporting structure.



BendCon

With the folding conveyor system BendCon, Westeria provides you a rolling supported folding conveyor belt as the ideal solution for all „conveying tasks“ with an upward bend. The angle of the folding conveyor belt is aligned or adapted to your specific circumstances. The BendCon has proven itself as a draw-off feeder for shredders, for instance. The sophisticated and rugged roller system and the corresponding belt leave no wishes unfulfilled and easily transport the feed material.



CONVEYING



WeKea®

WeKea is a Westeria sub-brand specialized in modular conveyor systems. With this series of products, Westeria has revolutionised the procurement process of conveyors: it uses an online configurator that gives you an official quote within minutes. The modular design of the conveyors allow shipments in less than six weeks and use much less freight space. All this, without compromising our commitment to quality.



Modules

- FlatCon®
- UCon®
- SteelCon®
- ChainCon
- PlateCon

WeKea® customised

If your needs do not fit any of our configurable modular conveyors, with WeKea customised we can manufacture individually engineered conveyors with our series-produced components, lowering the production costs and shortening delivery times.



WINDSIFTING | CONVEYING | DOSING | SPREADING

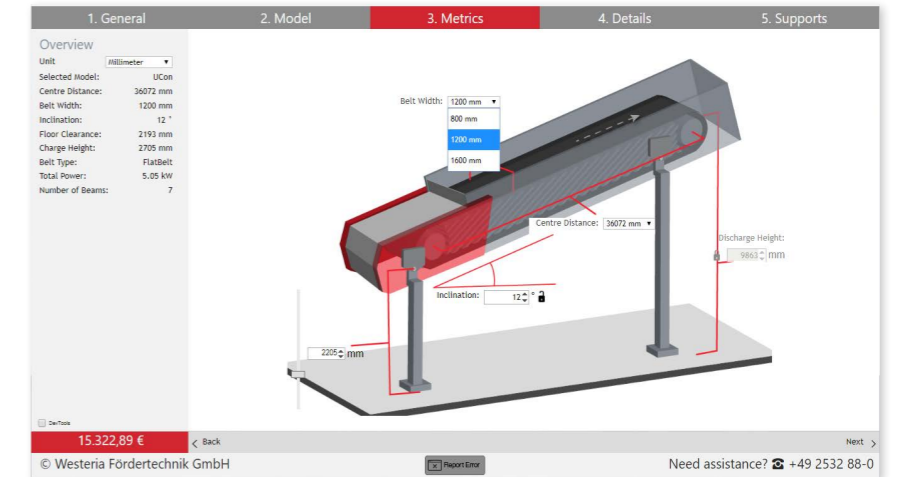
CONVEYING



KEY ADVANTAGES

Configurator

- Real-time price calculator
- Sophisticated design
- Offer is generated immediately
- Support from Westeria personnel
- Automatic generation of approvable 3D drawings



Modular system

- Extremely economical transport volume
- Fast delivery times
- Setup by local personnel possible
- Also available as preassembled conveyors
- Accurate calculation of transport volume and weight

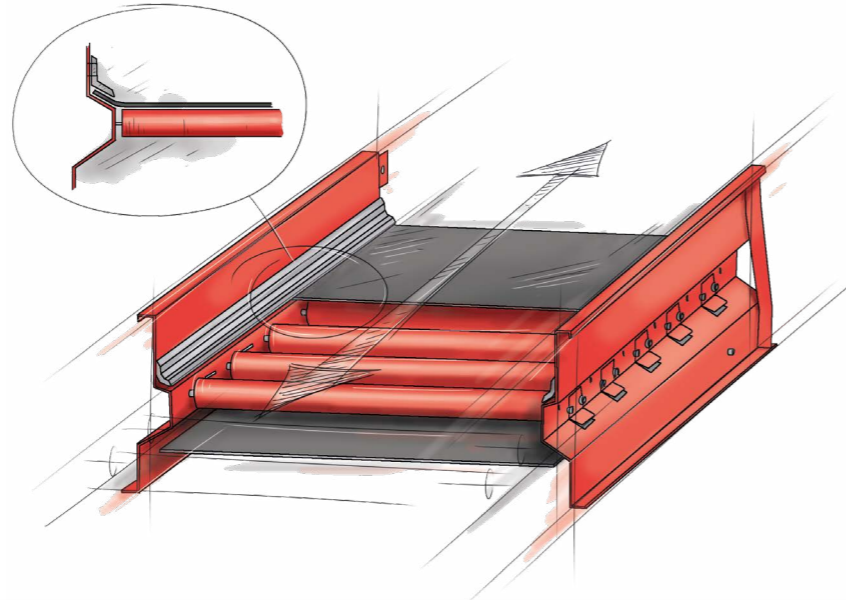


CONVEYING



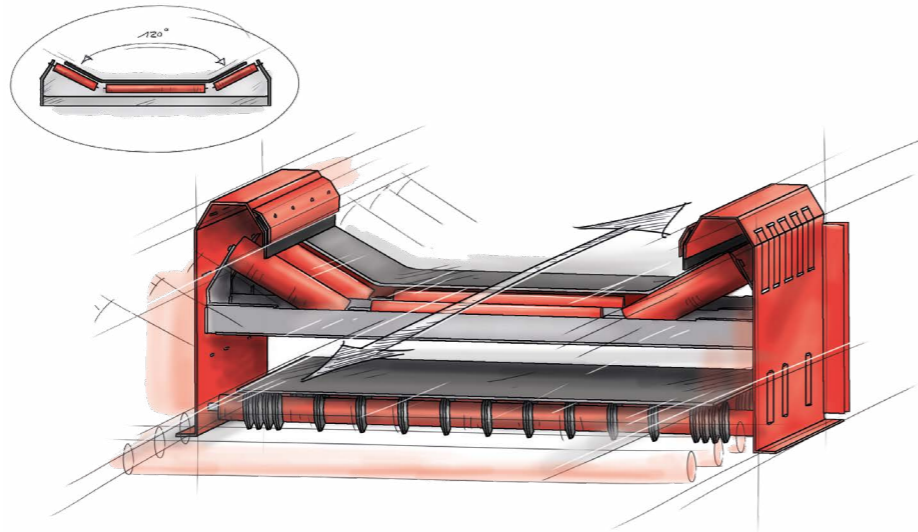
FlatCon®

- Optimal side sealing
- Energy-saving drive power
- Extremely versatile



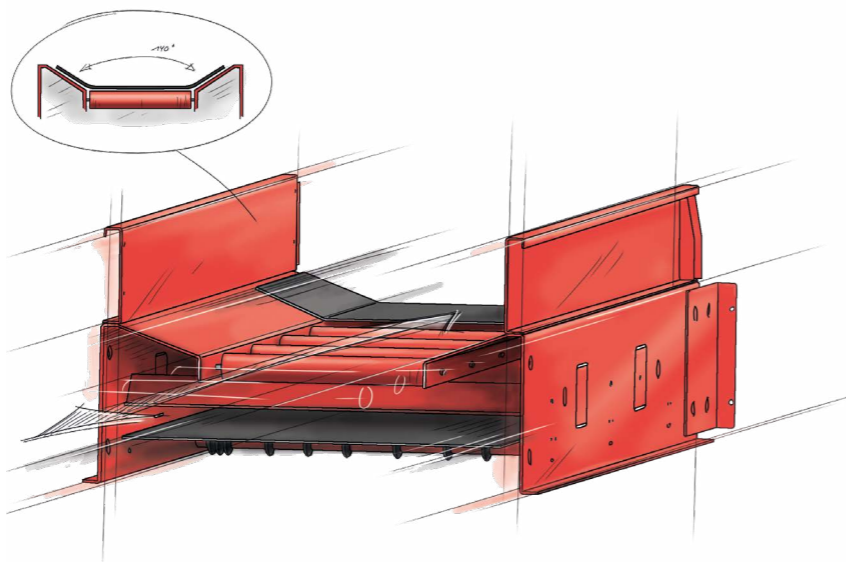
UCon®

- Ideal for all bulk materials
- Tested and optimized for years
- Easily accessible carrying rollers even with side sealing



SteelCon®

- Perfect for toughest applications
- Long service life even under heavy use
- Reduction of wear parts

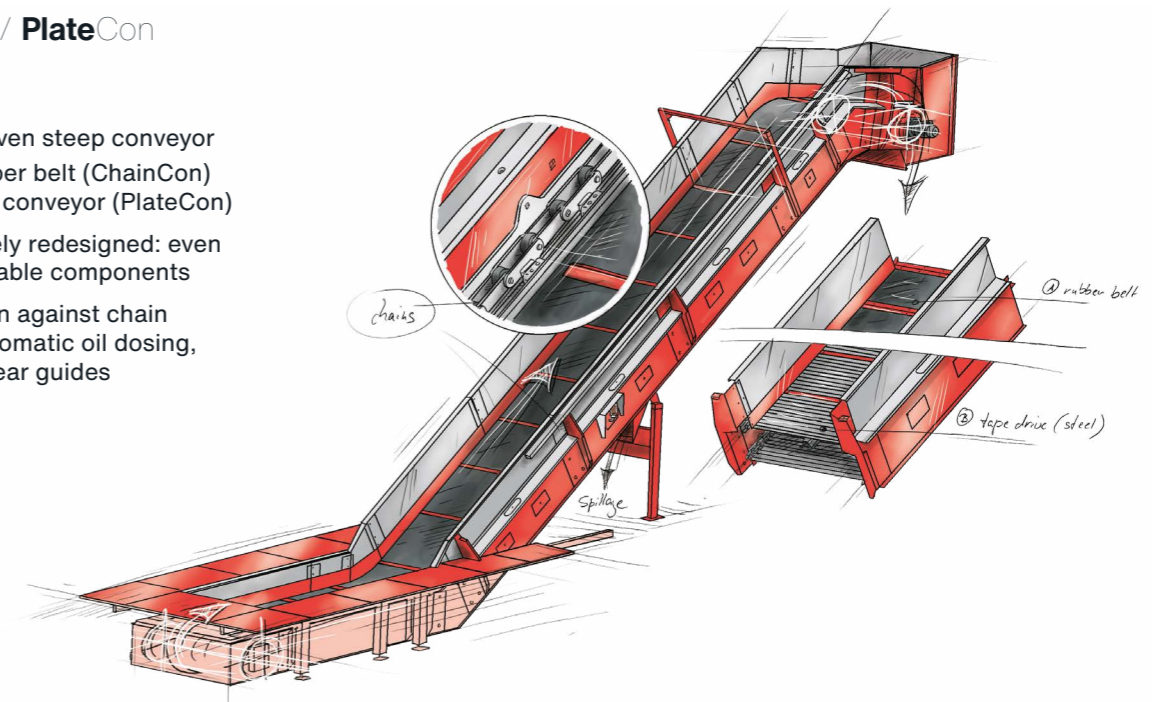


CONVEYING



ChainCon / PlateCon

- Chain driven steep conveyor
- With rubber belt (ChainCon) or as slat conveyor (PlateCon)
- Completely redesigned: even more durable components
- Protection against chain wear: automatic oil dosing, plastic wear guides



MOVING INNOVATION



Westeria® GmbH

Raiffeisenstr. 2, 48346 Ostbevern, Germany
Tel +49 2532 88-0 | www.westeria.de